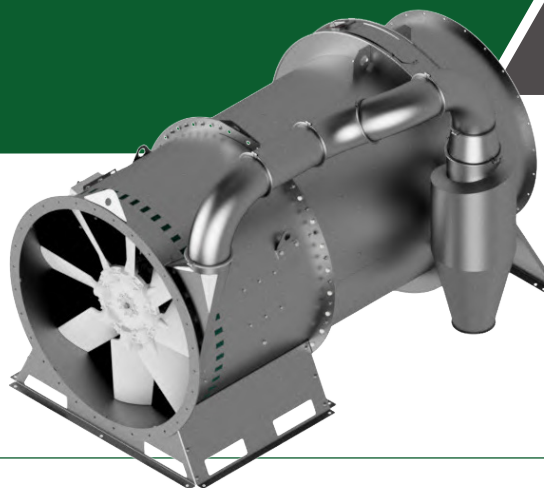




CYCLOFORCE TYPE CF-1120

GENERAL

Brand	Cimbria
Designation	CycloForce
Model	CF-1120
Use	Industry
Application	Moving air within a duct in large-volume dust collection systems



FAN CATEGORY

Casing construction	Welded/bolted
Drive arrangement	Direct drive
Inlet and outlet conditions	Inlet and outlet openings directly by the casing
Method of fan Control	Vane control (optional)
Outlet position	Horizontal or upward discharge
Motor position	Down-stream
Overall length, no guide vane	2 310 mm
Overall length, with vane	2 550 mm
Overall height	1 781 mm
Overall width	1 717 mm

EFFICIENCY

Efficiency grade	40
Measurement category	C
Efficiency category	Static
Efficiency*	40.8
Motor power input*	17.1 kW
Flow rate*	33 489 m ³ /h
Pressure	750 Pa
Efficiency**	48.8
Motor power input**	15.9 kW
Flow rate**	36 639 m ³ /h
Rotations per minute	1 475 rpm
Assumed drive type	Fixed
Specific ratio	0.994

** At operating point - $\rho = 1.135 \text{ kg/m}^3$

* At operating point - $\rho = 1.2 \text{ kg/m}^3$

Note: Efficiency calculated according to Commission Regulation (EU) 327/2011.

IMPELLER DATA

Impeller diameter	ø1 115 mm
No. of blades	8
Pitch angle	23°
Blade type	6W
Blade material	PAG

WEIGHT

Weight, no guide vane	543 kg
Weight, with guide vane	625 kg

ELECTRICAL RATINGS

Motor output	15 kW
Motor voltage	400 V
Motor frequency	50 Hz
Motor ampere	29.01 A
Motor power factor	0.81
Motor efficiency	92.1 %

NOISE

Sound power level $L_w(C, out)^*$		107 dB(A)						
32 Hz	63 Hz	125 Hz	250 Hz	500 Hz	1k Hz	2k Hz	4k Hz	8k Hz
57	67	80	91	103	104	95	89	81

* Measured at 750Pa Static Pressure

Note: Noise calculated according to ISO 13347-3.

COMPLIANCE

EU machinery legislation	Yes
EU fan efficiency legislation	Yes
EU ATEX legislation	No
EU food contact legislation	No

ENVIRONMENTAL CONDITIONS

Environment	Indoors or outdoors
Temperature	From -20°C to +40°C
Altitude	Up to 1 000 m

SURFACE PROTECTION

Casing	Pre-galvanized
--------	----------------

LIFETIME

Intended life limit	20 years
---------------------	----------

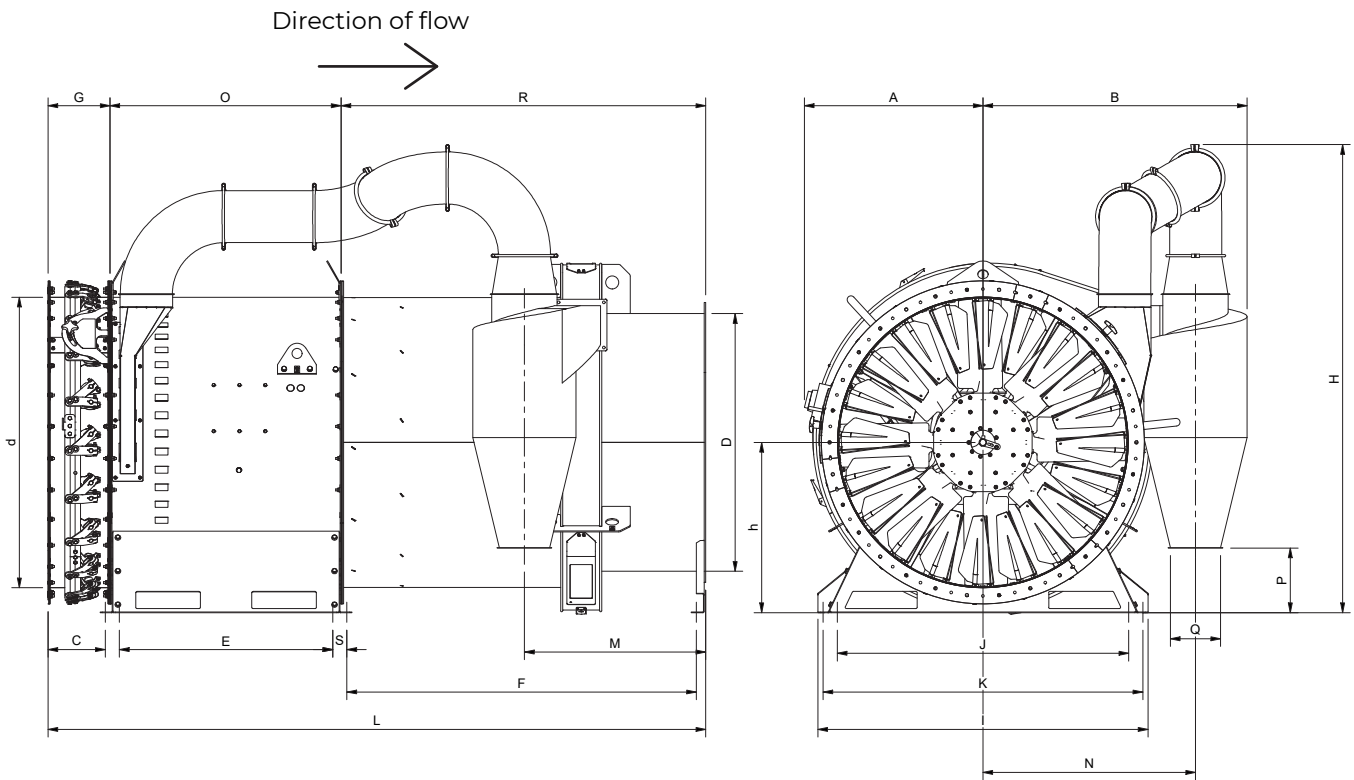
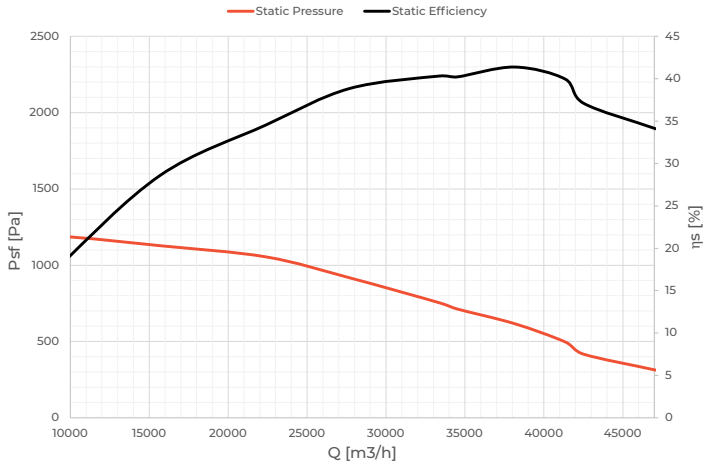
DUST SEPERATION

Dust separation efficiency	87.8 %
----------------------------	--------

Note: Dust separation efficiency measured at 750Pa and dust concentration 100 mg/m.

DRYING
CYCLOFORCE
TYPE CF-1120

PERFORMANCE



TECHNICAL DIMENSIONS

Fan	A	B	C	D	d	E	F	G	H	h	I	J	K	L	M	N	O	P	Q	R	S
CF1120	692.6	1024	221.5	∅995	∅1120	827	1355	240	1815	660	1280	1130	1240	2550	703	824	896	251	∅200	1410	55

