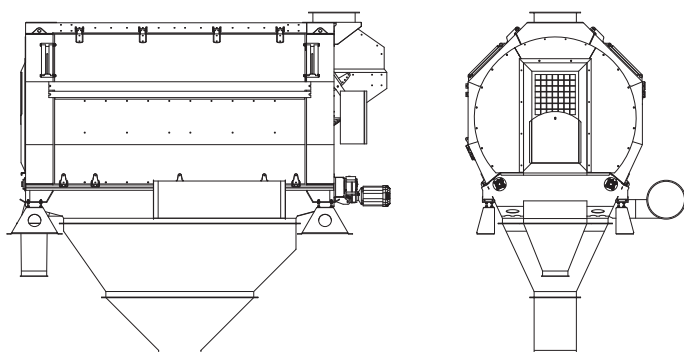


DRUM SCALPER DS-1250

GENERAL

Brand	Cimbria
Designation	Drum scalper
Model	DS-1250
Use	Industry
Application	Scalping of cereal grains, pulses, oilseeds etc.



PERFORMANCE

Materials	Bulk density t/m ³	Moisture content %	Capacity t/h
Barley	0.68	20	400
Coffee, green	0.65	20	80-150
Maize	0.71	35/20	250/400
Oats	0.51	20	200
Peas, common	0.7	20	350
Rapeseed	0.74	20/14	400/450
Rice, paddy	0.51	20	150
Rice, white	0.75	14	300
Rye	0.69	20	400
Sorghum	0.64	20	400
Soybeans	0.72	20	350
Sunflower	0.4	14	150
Wheat	0.76	20/15	400/500

Note: Capacities may vary for different impurity and moisture contents.

DIMENSIONS

Screen area, total	7.8 m ²
Screen size	ø1 250×1 000 mm (2 pcs)
Overall length	3 626 mm
Overall height	3 250 mm
Overall width	2 084 mm

WEIGHT

Weight, empty	1 750 kg
Weight, operating (wheat)	2 000 kg
Weight, choked (wheat)	3 600 kg

Note: Weights are without aspiration unit and outlet spouts.

OPERATING SPEED

Drum	12 rpm
------	--------

ELECTRICAL RATINGS

Motor, screens	2.2 kW
Control panel	3x200-500 V

AIR SUPPLY AND EXTRACTION

Aspiration volume	4 000-7 000 m ³ /h
-------------------	-------------------------------

Note: Aspiration volume depends on the cleaning operation.

NOISE

Sound pressure level, empty	75 dB(A)
-----------------------------	----------

COMPLIANCE

EU machinery legislation	Yes
EU ATEX legislation	Option*
EU food contact legislation	Option*

* Consult your Cimbria dealer for full details.

ENVIRONMENTAL CONDITIONS

Environment	Indoors
Temperature	From -20°C to +40°C
Altitude	Up to 1 000 m

SURFACE PROTECTION

Casing	Paint (corrosivity category C2; low durability)
--------	---

LIFETIME

Intended life limit	10 years
---------------------	----------