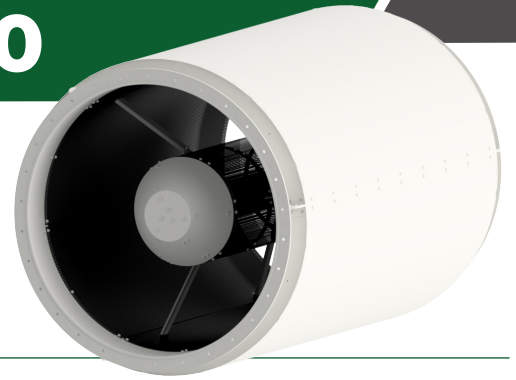


# SILENCER CD-85 - 0100

## GENERAL

Brand	Cimbria
Designation	Silencer
Model	CD-85 & CD-0100
Use	Industry
Application	Noise-suppressing with a duct system



## Design and function

Cimbria silencers consist of a round steel shell with a diameter of either  $\varnothing 1200$  or  $\varnothing 950$  mm.

The silencer is insulated with rock wool that is attached between the shell and a perforated plate.

In the intermediate part of the silencer there is a baffle.

## Noise

From any air discharge there will be noise both from the fans and from the passage of the air over sharp edges, valves and bends.

The air discharge from a dryer can typically be of a noise level of over 90 dB(A) and with consideration to the regulations in force it will often be necessary to reduced the noise level.

## Utilization

The silencer is mounted on the discharge end of a fan. When a sound wave hits the inside insulated part of the silencer a part of the noise is absorbed. This way a minimal noise emission from the discharged air is achieved.

Cimbria silencers can be used for both vertical and horizontal installation on Cimbria fans.

## Material

The steel shell is manufactured in 1 mm galvanised plate.

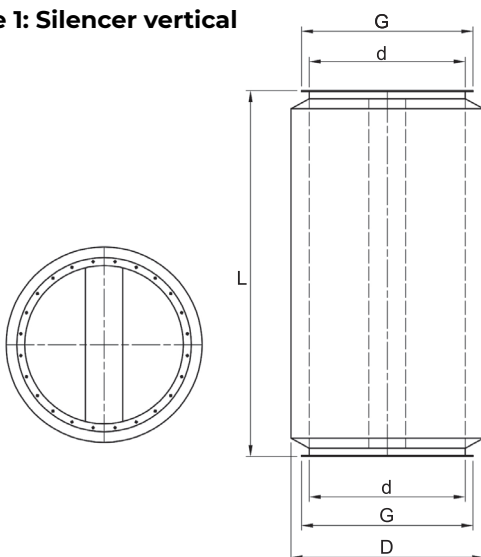
**Table 1: Noise level in dB(A) - 1 metre from the discharge**

Fan type	CF10	CF15	CF20	CF30	CF610	CF615	CF920	CF930	AF1020	AF1030
CD 085	81	83			86	91				
CD 0100			85	91			90	93	88	103

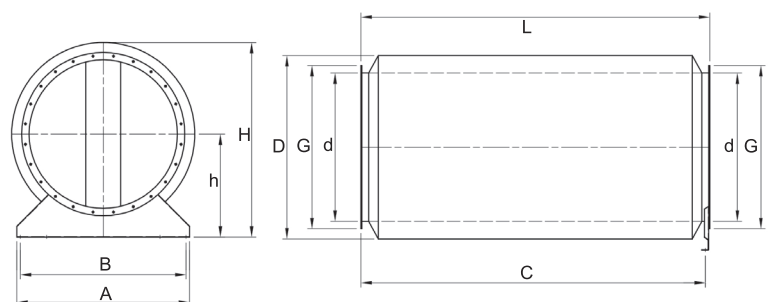
**Table 2: Noise reduction dB(A)**

Frequency Hz	63	125	250	500	1 000	2 000	4 000
Silencer CD 085 noise reduction Hz	0.5	0.11	19	32	32	29	18
Silencer CD 0100 noise reduction Hz	5	10	17	26	25	24	15

**Figure 1: Silencer vertical**



**Figure 2: Silencer Horizontal**



	A	B	C	d	D	G	h	H	L
CD 085	990	950	1975	$\varnothing 850$	$\varnothing 1050$	$\varnothing 935$	590	1115	2 000
CD 0100	1160	1120	1975	$\varnothing 1000$	$\varnothing 1200$	$\varnothing 1085$	660	1260	2 000

All measures in millimetres