



SUPER CYCLOFAN TYPE CF-920

GENERAL

Brand	Cimbria
Designation	Super CycloFan
Model	CF-920
Use	Industry
Application	Moving air within a duct in large-volume dust collection systems



FAN CATEGORY

Casing construction	Welded/bolted
Drive arrangement	Direct drive
Inlet and outlet conditions	Inlet and outlet openings directly by the casing
Method of fan Control	Vane control (optional)
Outlet position	Horizontal or upward discharge
Motor position	Down-stream
Overall length, no guide vane	2 494 mm
Overall length, with vane	2 734 mm
Overall height	1 800 mm
Overall width	1 140 mm

EFFICIENCY

Efficiency grade	40
Measurement category	C
Efficiency category	Static
Efficiency*	26.6
Motor power input*	22.1 kW
Flow rate*	27 993 m ³ /h
Pressure	750 Pa
Efficiency**	30
Motor power input**	20.8 kW
Flow rate**	29 947 m ³ /h
Rotations per minute	1 450 rpm
Assumed drive type	Fixed
Specific ratio	0.992

** At operating point - $\rho = 1.135 \text{ kg/m}^3$

* At operating point - $\rho = 1.2 \text{ kg/m}^3$

Note: Efficiency calculated according to Commission Regulation (EU) 327/2011.

WEIGHT

Weight, no guide vane	554 kg
Weight, with guide vane	610 kg

ELECTRICAL RATINGS

Motor output	15 kW
Motor voltage	400 V
Motor frequency	50 Hz
Motor ampere	27.9 A
Motor power factor	0.84
Motor efficiency	92.6 %

NOISE

Sound power level L_w 107 dB(A)							
63 Hz	125 Hz	250 Hz	500 Hz	1 000 Hz	2 000 Hz	4 000 Hz	8 000 Hz
88	93	98	99.5	101.5	99.5	95	84.2

COMPLIANCE

EU machinery legislation	Yes
EU fan efficiency legislation	Yes
EU ATEX legislation	No
EU food contact legislation	No

ENVIRONMENTAL CONDITIONS

Environment	Indoors or outdoors
Temperature	From -20°C to +40°C
Altitude	Up to 1 000 m

SURFACE PROTECTION

Casing	Galvanised/Painted
--------	--------------------

LIFETIME

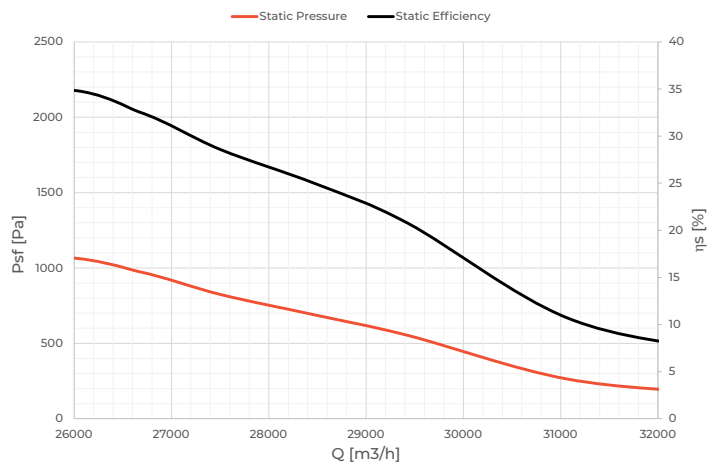
Intended life limit	20 years
---------------------	----------

DUST SEPERATION

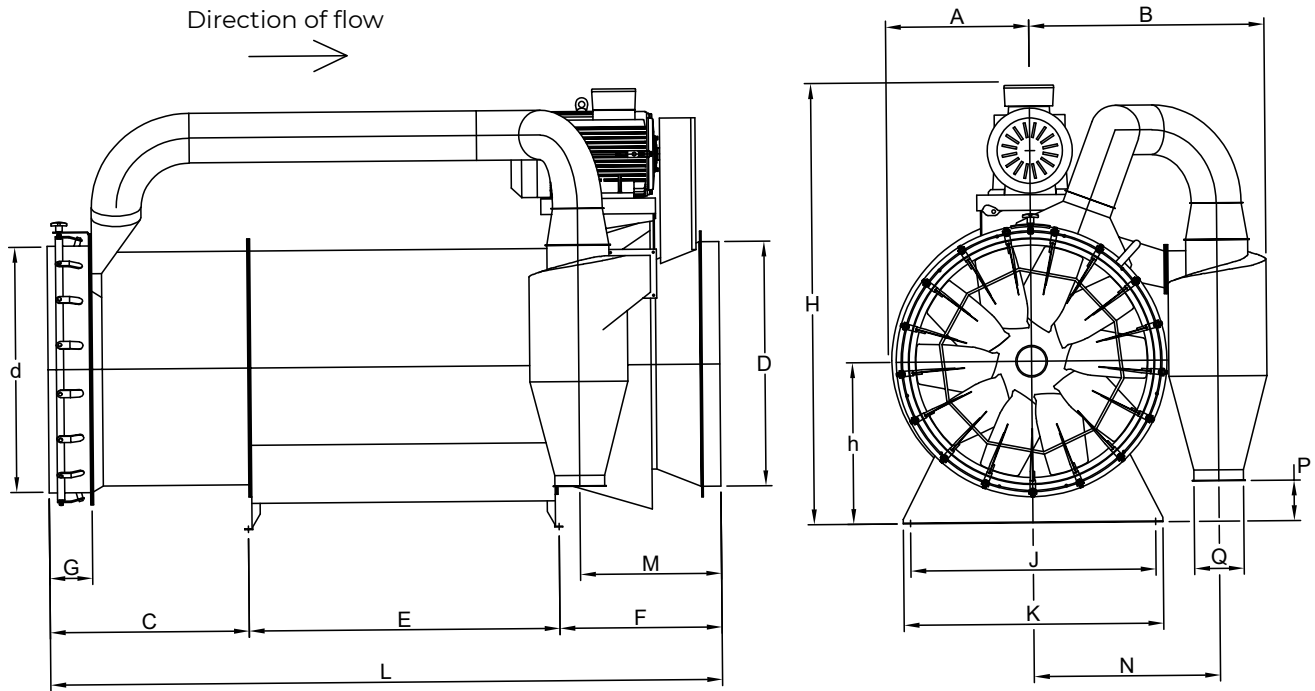
Dust separation efficiency depending on dust characteristics Above 90 %

Note: Dust separation efficiency measured at 750Pa and dust concentration 100 mg/m³.

PERFORMANCE



SUPER CYCLOFAN TYPE CF-920



TECHNICAL DIMENSIONS

Fan	A	B	C	D	d	E	F	G	H	h	J	K	L	M	N	P	Q
CF-920	960	585	877	Ø1000	Ø1000	1268	589	240	1800	660	1000	1060	2734	503	759	165	Ø200